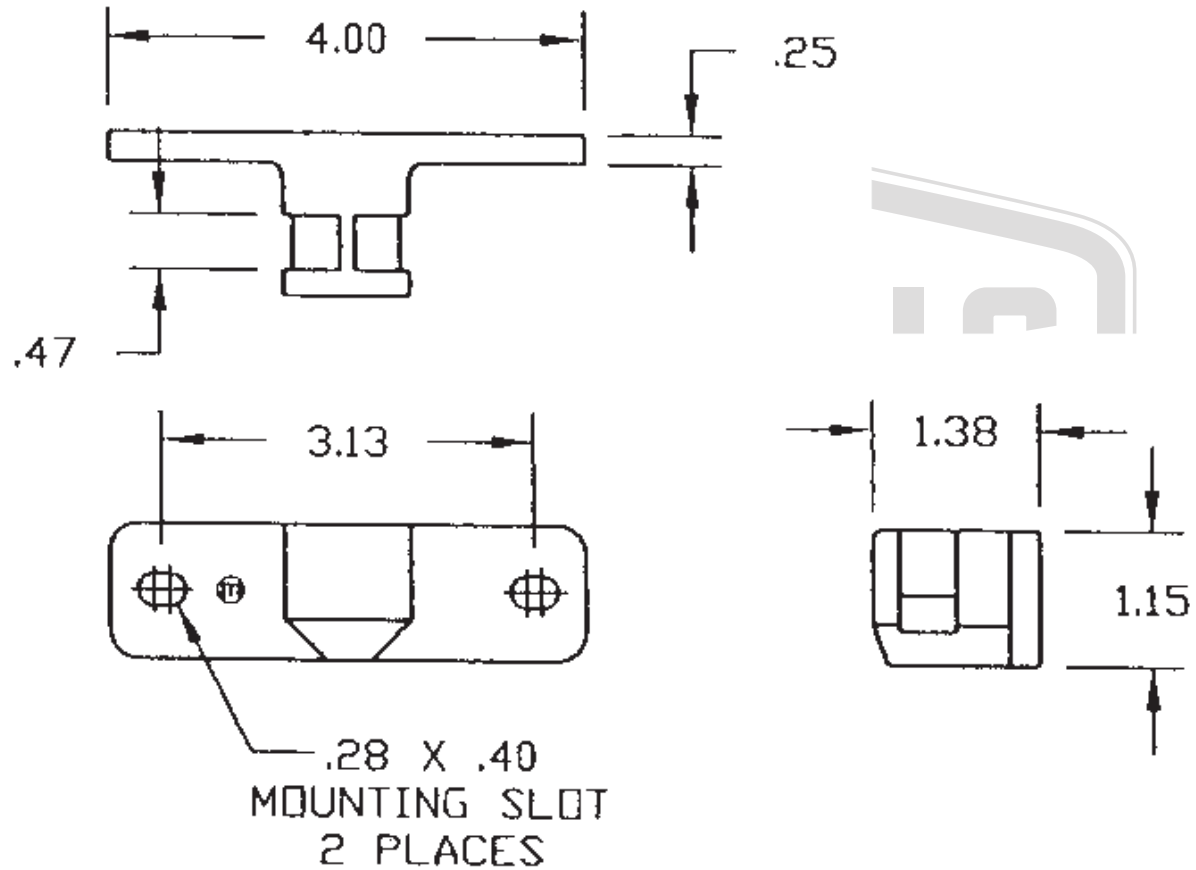


APPROVAL - CUSTOMER NAME & SIGNATURE

DATE



ALLEGIS

1-866-378-7550

MATERIAL:

Steel

DRAWING NO.:

206-15

FINISH:

Zinc Plate

REV.:

1:1

DATE:

6/11/2019